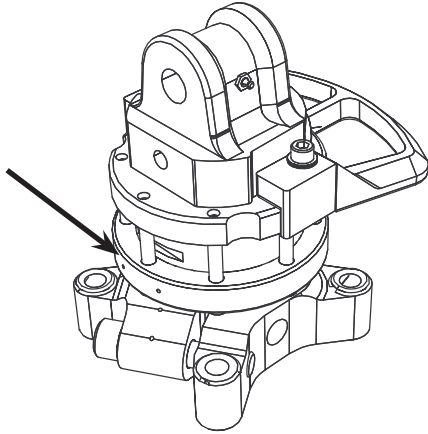
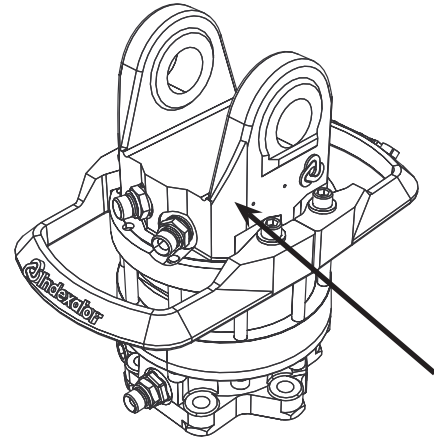


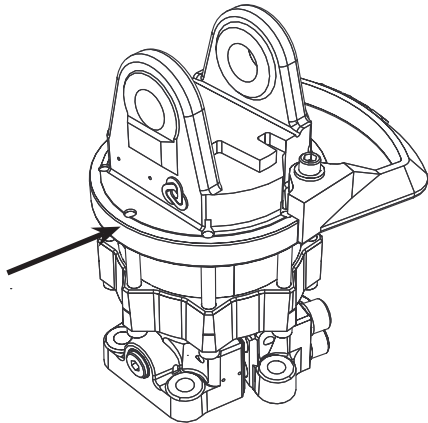
Model	Location
GV3	The serial number is stamped on the lower stator, on the right or left side of the type plate.



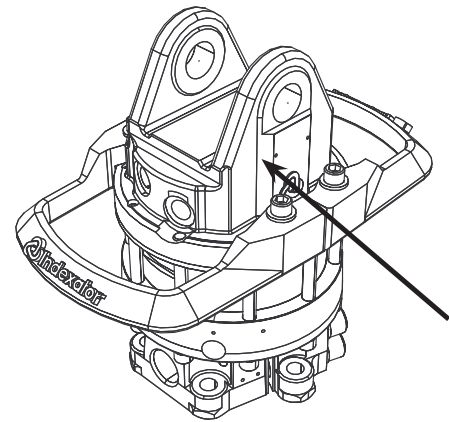
Model	Location
GV12-2S	The serial number is stamped on the upper stator near one "lug".



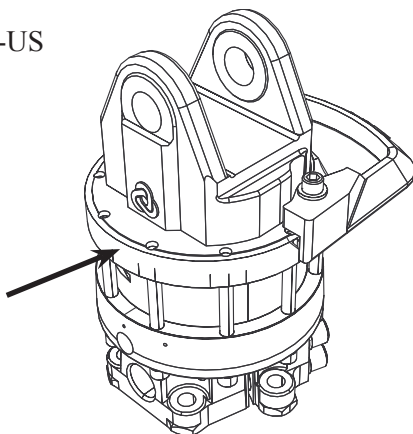
GV4, GV6	The serial number is stamped on the back of the upper stator, immediately below the type plate.
----------	---



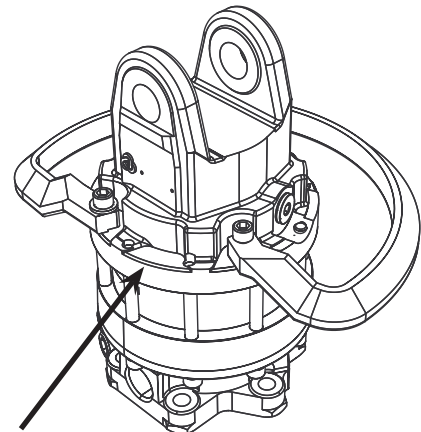
GV12-2	The serial number is stamped on the upper stator, near the planed surface to the side of the "lug". On the back of the type plate.
--------	--



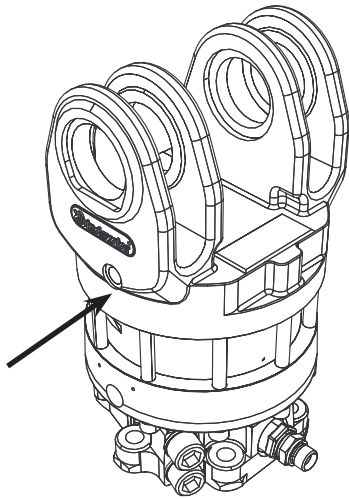
AV12, AV14, AV17, GV14, GV17, GV12-1, -S, -US	The serial number is stamped on the upper stator on the back, immediately below the type plate.
---	---



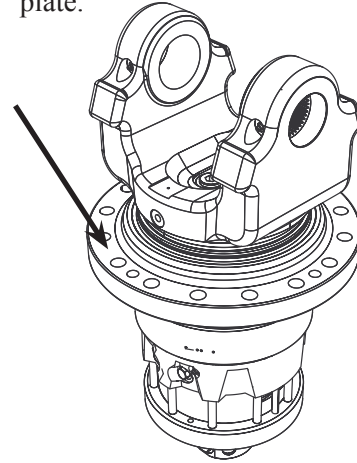
GV124	The serial number is stamped on the upper stator, on the back immediately below the type plate.
-------	---



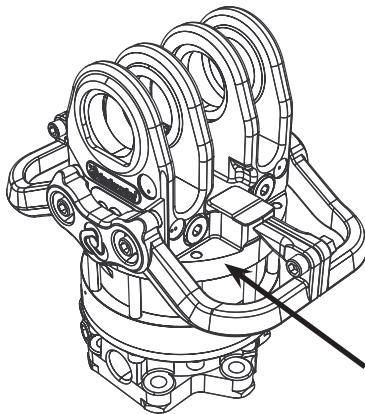
Model	Location
G, H	The serial number is stamped on the back of the upper stator.



Model	Location
SR	The serial number is stamped on the housing "flange" next to the type plate.



G121-2	The serial number is stamped on the upper stator, inside the nipple guard.
--------	--



IR10, IR12, IR20, IR22	The serial number is stamped on the housing flange" next to the type plate.
---------------------------	---

